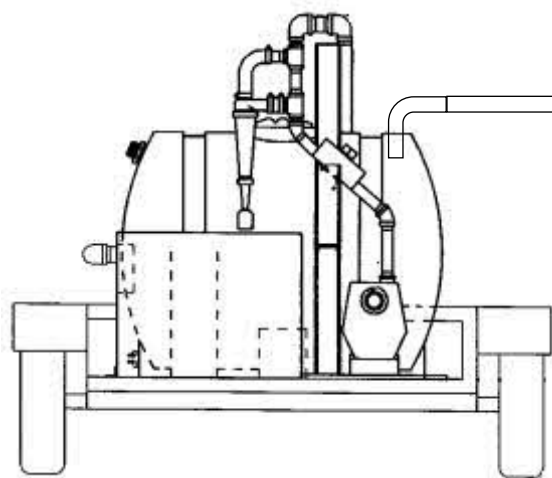


LOW COST BOAT WASHING

BUILD YOUR OWN WASH PAD FOR UNDER \$2,000



TRAVEL LIFT



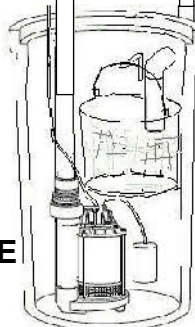
ENCYCLON 651SP-MWT
FILTRATION SYSTEM



EPDM RUBBER LINER



EPDM PIPE BOOT



STAINLESS STEEL
PERFORATED BASKET

SUBMERSIBLE
SUMP PUMP

POLYETHYLENE SUMP

Wash Pad Size - 30' x 35'

Pond Liner 35 x 40'	Firestone EPDM 45 mil rubber pond liner	\$ 840.00
Liner Underlayment	Underlayment #AQ GEO - 15 x 50'	\$ 187.50
Pipe Boot	EPDM pipe boot for pipes 1 to 6" for drain #W563581063	\$ 29.00
EPDM Lap Cement	Glue pipe boot - HS-1 Firestone #FIR-W563587033-1	\$ 9.99
Landscape Timbers	Drape liner over - (17) 3" x 5" x 8-foot OAL @ \$3.98 each	\$ 67.66
Poly Sump Pit	Ak Inds AKP30140 Polyethylene 30 gal. Sump Basin 18"X30"	\$ 74.99
Poly Sump Cover	Ak Inds AKP70120 Cover Sump	\$ 24.99
Strainer Basket	12" diameter x 12" Stainless 3/32" Perforated Basket #14214	\$ 340.66
Sump Pump	Wayne 1/2HP Submersible Sump Pump - CDU-800	\$ 129.00
Other Plumbing	Fittings Various PVC fittings and pipe to plumb sump	\$ 75.00
Other Electrical Parts	For sump pump only - (Unit has 50 ft dock cord and switch)	\$ 40.00
	Total	\$1,818.79