

Little Tramp Oil Wheel



Model	Description
954-009	12" Oil Wheel
954-013	18" Oil Wheel
954-017	12" Oil Wheel, Aluminum Complete
954-036	18" Oil Wheel, Aluminum Complete
954-031	12" Oil Wheel, Cold Roll Steel Complete
954-042	18" Oil Wheel, Cold Roll Steel Complete
954-037	12" Oil Wheel, Stainless Steel Complete
954-039	18" Oil Wheel, Stainless Steel Complete
337-001	Dual Function GFCI and Surge Suppressor

Low-cost solutions for tramp oil problems.

"Little Tramp" Oil Wheels are inexpensive investments when compared with fluid costs and machine maintenance. The equipment pays for itself in a very short time. For ease of operation and cost-efficient oil removal, "Little Tramp" outperforms rope, coalescers and centrifuges.

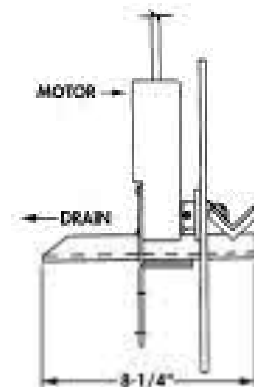
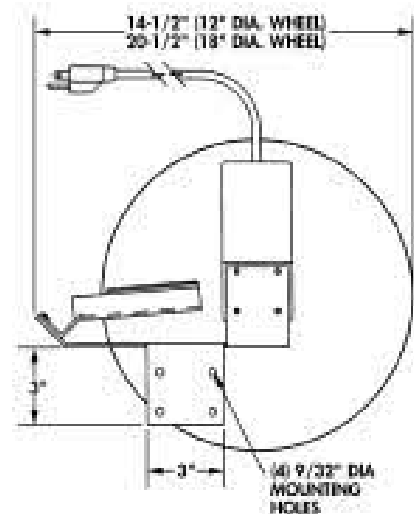
- "Little Tramp" Oil Wheel removes floating oil from metal working fluids or other liquids at the rate of 1.5 gallons per hour.

Removing hydraulic, lubricating and other tramp oils and greases from machine tool sump coolants offers these advantages:

- Fluid life is extended (as much as four to five times).
- Less time spent cleaning parts and machines.
- Smoke, mist and bacteria growth are reduced.
- Oil can be sold or burned, while the coolant can be disposed of or more easily reclaimed.

Clean and Simple

Tramp oil adheres to the slowly rotating disk or belt and is automatically channeled by stationary wiper blades into a collector trough. With few moving parts, "Little Tramp" Oil Wheels are easy to install and maintain, and are simple to operate.



**Model #954-009
only \$205**



Encyclon Inc.

For more information call:
Phone 937-438-8031